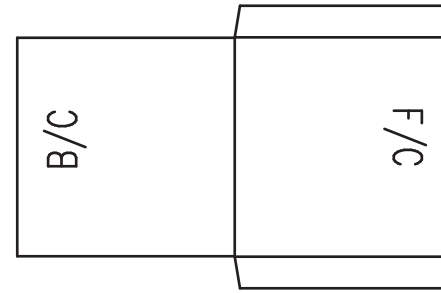
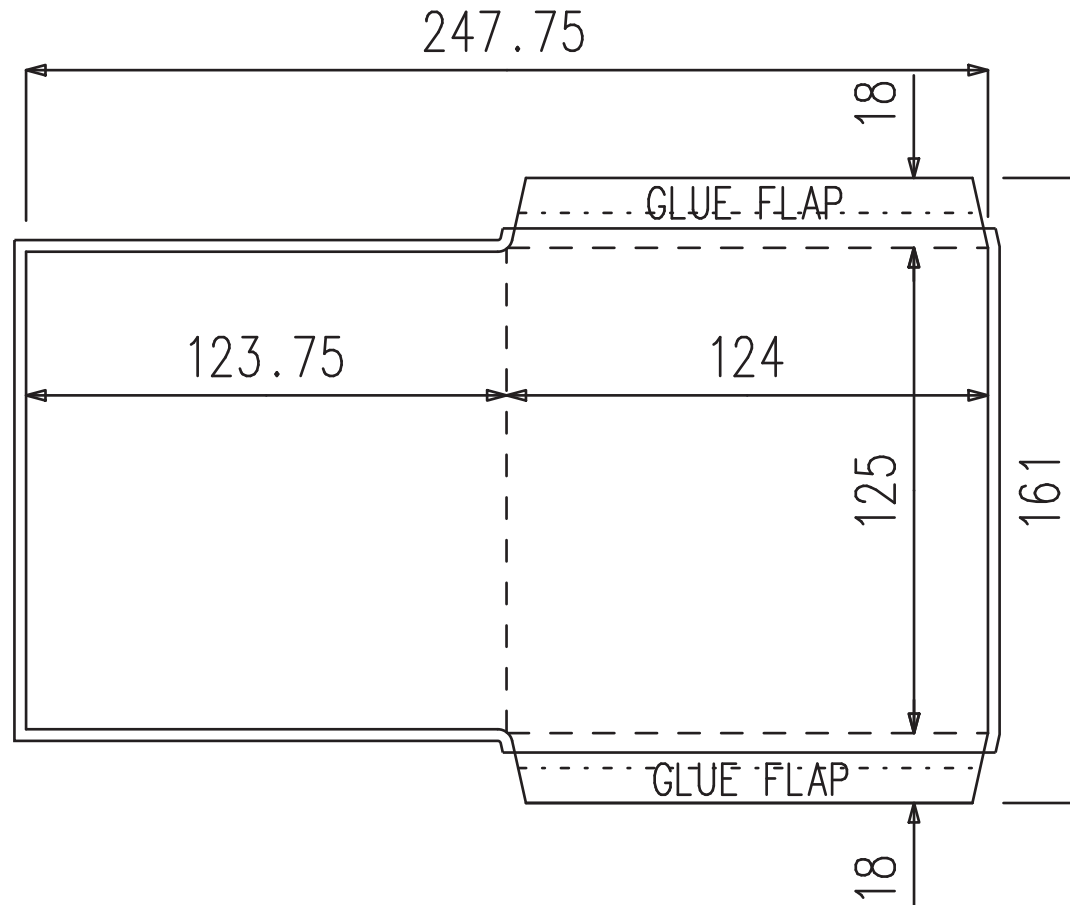


SIDE OPENING



TOP OPENING



IMPORTANT INFORMATION

BLEED

SHOWN AS PRINT FACE

MINIMUM 3MM BLEED
NO IMAGE ON MARKED GLUE FLAP
EXCEPT 5MM BLEED.

LINESTYLES	CUT —————	CREASE - - - - -	CUT CREASE - . - . - .	PERF - - - - -	SCORE - - - - -
------------	-----------	------------------	------------------------	----------------	-----------------