



FORMAT:
4PP FLEXIPAC

IMPORTANT INFORMATION

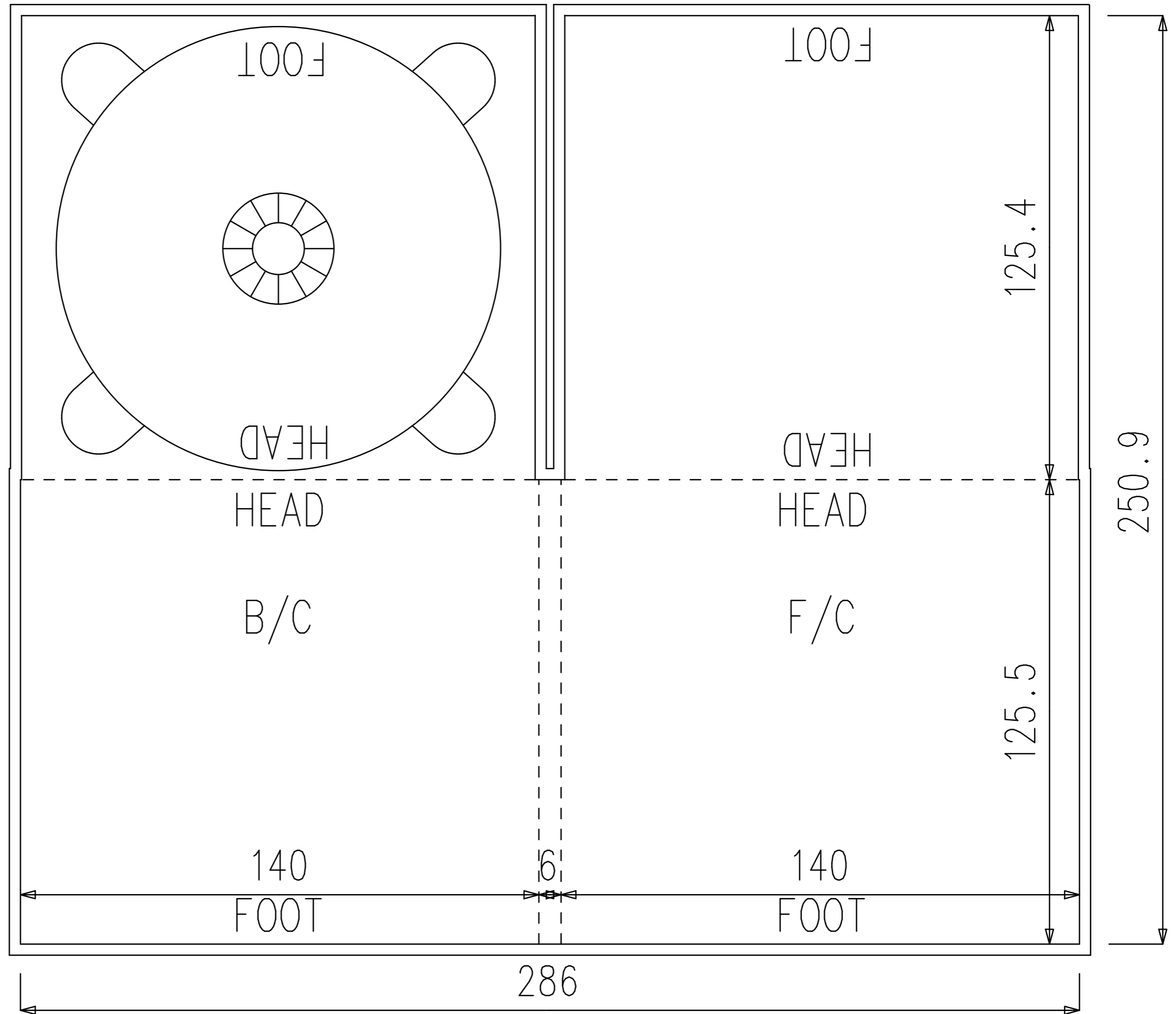
BLEED

SHOWN AS PRINT FACE

MINIMUM 3MM BLEED
NO IMAGE ON MARKED GLUE FLAP
EXCEPT 5MM BLEED.
NOT TO BE DISCLOSED TO THIRD PARTIES
WITHOUT PRIOR WRITTEN PERMISSION.

NOTES:

PRODUCT CONTENTS: 1 CLEAR FLEXI TRAY



LINESTYLES	CUT —————	CREASE - - - - -	CUT CREASE - · - · - ·	PERF · · · · ·	SCORE - - - - -
------------	-----------	------------------	------------------------	----------------	-----------------